



郑州高德机械设备有限公司 Gaode Equipment Co., Ltd.

地址 ADD: 郑州市金水区丰庆路 4 号院 14 号楼 9 号 邮编 P.C.:450053
No.9, Building 14, Yard No.4, Fengqing Road, Jinshui District, Zhengzhou, Henan China
网站 (Web) :www.gaodetec.com E-Mail: info@gaodetec.com

GDJ-M High pressure hydraulic diaphragm dosing metering pump

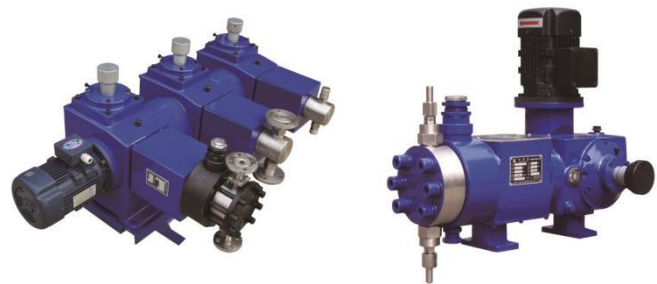
Major Performance parameters

1. Single-joint maximum flow: 40000 L/h
2. Maximum discharge pressure: 50 MPa
3. Steady state accuracy: $\pm 1\%$
4. Media Viscosity: 0-800mm² /s
5. Temperature of transporting media can reach over 450°C



Main Features

1. Design and manufacturing standard GB/T7782-2008
2. It can remove the gas remaining in the hydraulic oil and keep the hydraulic oil rigid
3. High measurement accuracy
4. Completely sealed and no leakage
5. Control system of diaphragm is full rear position



Application

Petroleum, petrochemical and chemical processes in the high pressure and large flow requirements, or hazardous chemicals injection and delivery of land and offshore oil and gas skid mounted systems, nuclear power, military and other special process applications, environmental protection, pharmaceutical, paper, food and other key processes of the industry.

Safe operation without media in the pump head.

The First High-performance Diaphragm Pump

1. Standard stainless steel liquid end: single head maximum flow rate 40,000 L/h, maximum pressure 50MPa.
2. Standard PVC liquid end: single head maximum flow rate 10,000 L/h, maximum pressure 10bar.
3. Maximum flow rate of 10000 liters/hour in single head, maximum pressure 10bar.
4. Built-in combined safety valve to prevent excess pressure and automatic venting.
5. Measuring accuracy $\pm 1\%$.
6. Conveying medium temperature 100 °C, special circumstances can reach 350 °C.
7. Diaphragm PTFE, easy to install without leakage.
8. Using the latest technology, automatic control of oil replenishment, safe and reliable.
9. Diaphragm pump (on-site/remote) rupture detection can choose pressure or electrolytic liquid type transmission end lubricant and hydraulic oil hydraulic end completely isolated low maintenance costs.



郑州高德机械设备有限公司

Gaode Equipment Co., Ltd.

地址 ADD: 郑州市金水区丰庆路 4 号院 14 号楼 9 号 邮编 P.C.:450053
 No.9, Building 14, Yard No.4, Fengqing Road, Jinshui District, Zhengzhou, Henan China
 网站 (Web) :www.gaodetec.com E-Mail: info@gaodetec.com

Hydraulic end

1. A variety of standard hydraulic end forms including high-performance diaphragm pump head, metal diaphragm pump head
2. Optional insulation jacket and other special hydraulic end forms
3. Diaphragm pumps can choose pressure or electrolyte type double diaphragm leakage detection (local/remote) alarm.
4. Pump head, check valve, diaphragm, plunger, packing and other materials have special options.
5. High-precision inlet and outlet check valves with single ball valve, double ball valve, cone valve and other optional configurations.

GDJ-M Hydraulic diaphragm dosing metering pump

Parameters

Type	Flow L/h	Max Pressure MPa		inlet pipe connections(D)	outlet pipe connections(C)
		Motor 0.12kW	Motor 0.18kW		
GDJ1-M-2/5	2		5	Φ12 (outside diameter) *3 hose	Φ12 (outside diameter) *3 hose
GDJ1-M3.2/3.2	3.2		3.2	Φ14 (outside diameter) *3 hose	Φ14 (outside diameter) *3 hose
GDJ1-M-5/2.0	5		2.0		
GDJ1-M-8/1.3	8		1.3	Φ18 (outside diameter) *3 hose	Φ18 (outside diameter) *3 hose
GDJ1-M-14/0.8	14		0.8		
GDJ1-M-10/5	10		5	Φ12 (outside diameter) *3 hose	Φ12 (outside diameter) *3 hose
GDJ1-M-12.5/4	12.5		4		
GDJ1-M-16/3.2	16		3.2	Φ14 (outside diameter) *3 hose	Φ14 (outside diameter) *3 hose
GDJ1-M-20/2.5	20		2.5		
GDJ1-M-25/2	25		2	Φ14 (outside diameter) *3 hose	Φ14 (outside diameter) *3 hose
GDJ1-M-32/1.6	32		1.6		
GDJ1-M-40/1.3	40		1.3	Φ18 (outside diameter) *3 hose	Φ18 (outside diameter) *3 hose
GDJ1-M-50/1.0	50		1.0		
GDJ1-M-63/0.8	63		0.8		
GDJ1-M-80/0.63	80		0.63		
GDJ1-M-100/0.5	100		0.5	GB/T9119 DN15PN6RF	GB/T9119 DN15PN6RF
GDJ1-M-125/0.4	125		0.4		
GDJ1-M-160/0.32	160		0.32		
GDJ1-M-200/0.25	200		0.25		



郑州高德机械设备有限公司

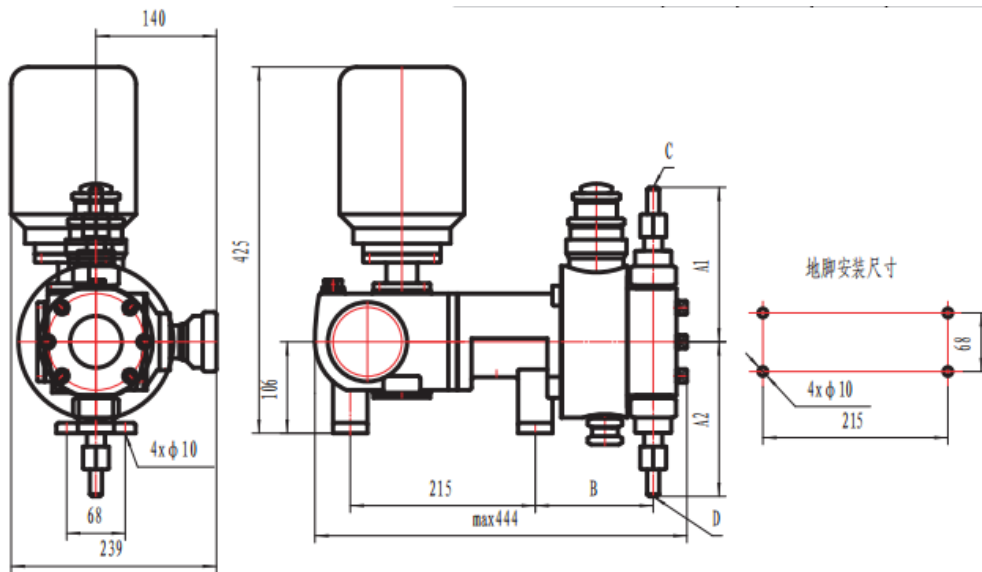
Gaode Equipment Co., Ltd.

地址 ADD: 郑州市金水区丰庆路 4 号院 14 号楼 9 号 邮编 P.C.:450053
 No.9, Building 14, Yard No.4, Fengqing Road, Jinshui District, Zhengzhou, Henan China
 网站 (Web) :www.gaodetec.com E-Mail: info@gaodetec.com

Install Dimensions

Model	A1	A2	B	C	D
GDJ1-M-2/5	169	169	126	Φ12 (outside diameter) *3 hose	Φ12 (outside diameter) *3 hose
GDJ1-M3.2/3.2	186	186	134	Φ14 (outside diameter) *3 hose	Φ14 (outside diameter) *3 hose
GDJ1-M-5/2.0	182	182	138		
GDJ1-M-8/1.3	190	190	139	Φ18 (outside diameter) *3 hose	Φ18 (outside diameter) *3 hose
GDJ1-M-14/0.8	194	194	142		
GDJ1-M-10/5	169	169	126	Φ12 (outside diameter) *3 hose	Φ12 (outside diameter) *3 hose
GDJ1-M-12.5/4					
GDJ1-M-16/3.2	186	186	134	Φ14 (outside diameter) *3 hose	Φ14 (outside diameter) *3 hose
GDJ1-M-20/2.5					
GDJ1-M-25/2	182	182	138	Φ14 (outside diameter) *3 hose	Φ14 (outside diameter) *3 hose
GDJ1-M-32/1.6					
GDJ1-M-40/1.3	190	190	139	Φ18 (outside diameter) *3 hose	Φ18 (outside diameter) *3 hose
GDJ1-M-50/1.0					
GDJ1-M-63/0.8					
GDJ1-M-80/0.63					
GDJ1-M-100/0.5	239	169	145	GB/T9119 DN15PN6RF	GB/T9119 DN15PN6RF
GDJ1-M-125/0.4					
GDJ1-M-160/0.32					
GDJ1-M-200/0.25					

Installation Diagram





郑州高德机械设备有限公司

Gaode Equipment Co., Ltd.

地址 ADD: 郑州市金水区丰庆路 4 号院 14 号楼 9 号 邮编 P.C.:450053
 No.9, Building 14, Yard No.4, Fengqing Road, Jinshui District, Zhengzhou, Henan China
 网站 (Web) :www.gaodetec.com E-Mail: info@gaodetec.com

GDJ2-M GDJ-M High pressure diaphragm dosing metering pump

Parameters

Type	Flow L/h	Max Pressure MPa			inlet pipe connections(D)	outlet pipe connections(C)
		Motor 0.37kW	Motor 0.55kW	Motor 0.75kW		
GDJ2-M-5/16	5	16			Φ14 (outside diameter) *3 hose	Φ14 (outside diameter) *3 hose
GDJ2-M-9/10	9	10				
GDJ2-M-15/6.3	15	6.3			Φ18 (outside diameter) *3 hose	Φ18 (outside diameter) *3 hose
GDJ2-M-18/16(6.3)	18	6.3	16		Φ14 (outside diameter) *3 hose	Φ14 (outside diameter) *3 hose
GDJ2-M-22/12.5(5)	22	5		125		
GDJ2-M-25/4	25	4			Φ18 (outside diameter) *3 hose	Φ18 (outside diameter) *3 hose
GDJ2-M-32/10(4)	32	4	10		Φ14 (outside diameter) *3 hose	Φ14 (outside diameter) *3 hose
GDJ2-M-40/8(3.2)	40	3.2		8		
GDJ2-M-40/2.5	40	2.5			DN15-PN6 RF GB/T9119	DN15-PN40 RF GB/T9119
GDJ2-M-50/6.3(2.5)	50	2.5	6.3		Φ18 (outside diameter) *3 hose	Φ18 (outside diameter) *3 hose
GDJ2-M-63/5(2)	63	2		5		
GDJ2-M-80/4(1.6)	80	1.6	4		Φ18 (outside diameter) *3 hose	Φ18 (outside diameter) *3 hose
GDJ2-M-100/3.2(1.3)	100	1.3		3.2		
GDJ2-M-125/2.5(1)	125	1	2.5		DN15-PN6 RF GB/T9119	DN15-PN40 RF GB/T9119
GDJ2-M-160/2(0.8)	160	0.8		2		
GDJ2-M-200/1.6(0.63)	200	0.63	1.6			
GDJ2-M-250/1.3	250		1.3			
GDJ2-M-320/1	320		1		DN20-PN6 RF GB/T9119	DN20-PN40 RF GB/T9119
GDJ2-M-400/0.8	400		0.8			
GDJ2-M-500/0.63	500		0.63		DN25-PN6 RF GB/T9119	DN25-PN6 RF GB/T9119
GDJ2-M-630/0.5	630		0.5			
GDJ2-M-800/0.4	800		0.4		DN32-PN6 RF GB/T9119	DN32-PN6 RF GB/T9119
GDJ2-M-1000/0.32	1000		0.32			



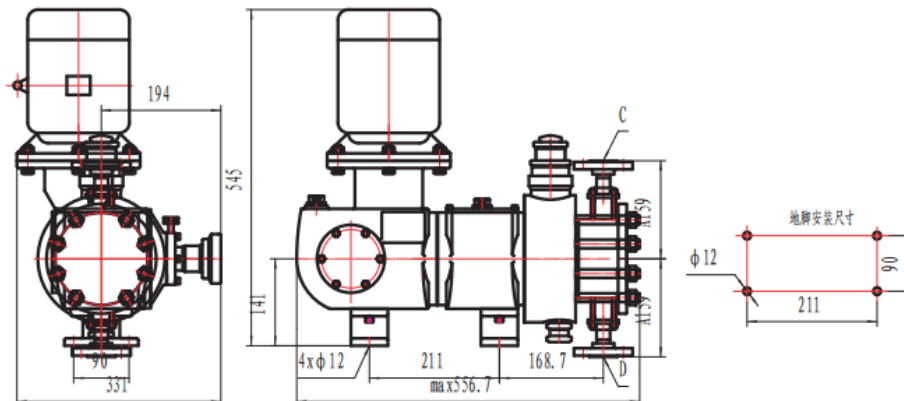
郑州高德机械设备有限公司 Gaode Equipment Co., Ltd.

地址 ADD: 郑州市金水区丰庆路 4 号院 14 号楼 9 号 邮编 P.C.:450053
No.9, Building 14, Yard No.4, Fengqing Road, Jinshui District, Zhengzhou, Henan China
网站 (Web) :www.gaodetec.com E-Mail: info@gaodetec.com

Install Dimensions

Type	A1	A2	B	C	D
GDJ2-M-5/16	204	204	147	Φ14 (outside diameter) *3 hose	Φ14 (outside diameter) *3 hose
GDJ2-M-9/10	198	198	147		
GDJ2-M-15/6.3	202	202	148	Φ18 (outside diameter) *3 hose	Φ18 (outside diameter) *3 hose
GDJ2-M-18/16(6.3)	204	204	147	Φ14 (outside diameter) *3 hose	Φ14 (outside diameter) *3 hose
GDJ2-M-22/12.5(5)					
GDJ2-M-25/4	202	202	148	Φ18 (outside diameter) *3 hose	Φ18 (outside diameter) *3 hose
GDJ2-M-32/10(4)	198	198	147	Φ14 (outside diameter) *3 hose	Φ14 (outside diameter) *3 hose
GDJ2-M-40/8(3.2)					
GDJ2-M-40/2.5	245	175	156	DN15-PN40 RF GB/T9119	DN15-PN6 RF GB/T9119
GDJ2-M-50/6.3(2.5)	202	202	148	Φ18 (outside diameter) *3 hose	Φ18 (outside diameter) *3 hose
GDJ2-M-63/5(2)					
GDJ2-M-80/4(1.6)	202	202	148	Φ18 (outside diameter) *3 hose	Φ18 (outside diameter) *3 hose
GDJ2-M-100/3.2(1.3)					
GDJ2-M-125/2.5(1)	239	169	155	DN15-PN40 RF GB/T9119	DN15-PN6 RF GB/T9119
GDJ2-M-160/2(0.8)					
GDJ2-M-200/1.6(0.63)	245	175	156		
GDJ2-M-250/1.3	248	198	165	DN20-PN40 RF GB/T9119	DN20-PN6 RF GB/T9119
GDJ2-M-320/1					
GDJ2-M-400/0.8					
GDJ2-M-500/0.63	266	216	179	DN25-PN6 RF GB/T9119	DN25-PN6 RF GB/T9119
GDJ2-M-630/0.5					
GDJ2-M-800/0.4	272	252	179	DN32-PN6 RF GB/T9119	DN32-PN6 RF GB/T9119
GDJ2-M-1000/0.32					

Installation Diagram





郑州高德机械设备有限公司

Gaode Equipment Co., Ltd.

地址 ADD: 郑州市金水区丰庆路 4 号院 14 号楼 9 号 邮编 P.C.:450053
 No.9, Building 14, Yard No.4, Fengqing Road, Jinshui District, Zhengzhou, Henan China
 网站 (Web) :www.gaodetec.com E-Mail: info@gaodetec.com

GDJ3-M Hydraulic dosing metering pump

Parameters

Type	Flow L/h	Max Pressure MPa		inlet pipe connections(D)	outlet pipe connections(C)
		Motor 1.1kW	Motor 1.5kW		
GDJ3-M-22/20(12.5)	22	12.5	20	Φ18(outside diameter)*4 hose	Φ18(outside diameter)*4 hose
GDJ3-M-28/20(10)	28	10	20		
GDJ3-M-38/20(8)	38	8	20	Φ18(outside diameter)*3 hose	Φ18(outside diameter)*3 hose
GDJ3-M-48/16(12.5)	48	12.5	16		
GDJ3-M-63/12.5(5)	63	5	12.5		
GDJ3-M-80/10(4)	80	4	10		
GDJ3-M-100/8(3.2)	100	3.2	8	DN15-PN5 RF GB/T9119	DN15-PN110 RF GB/T9116.1
GDJ3-M-125/6.3(2.5)	125	2.5	6.3		
GDJ3-M-160/5(2)	160	2	5	DN15-PN5 RF GB/T9119	DN15-PN50 RF GB/T9116.1
GDJ3-M-200/4(1.6)	200	1.6	4		
GDJ3-M-250/3.2(1.3)	250	1.3	3.2	DN20-PN6 RF GB/T9119	DN20-PN40 RF GB/T9119
GDJ3-M-320/2.5(1)	320	1	2.5		
GDJ3-M-400/2(0.8)	400	0.8	2	DN20-PN6 RF GB/T9119	DN20-PN40 RF GB/T9119
GDJ3-M-500/1.6(0.63)	500	0.63	1.6		
GDJ3-M-630/1.3(0.5)	630	0.5	1.3	DN25-PN6 RF GB/T9119	DN25-PN40 RF GB/T9119
GDJ3-M-800/1(0.4)	800	0.4	1		
GDJ3-M-1000/0.8(0.32)	1000	0.32	0.8	DN32-PN6 RF GB/T9119	DN32-PN40 RF GB/T9119
GDJ3-M-1250/0.63(0.25)	1250	0.25	0.63		
GDJ3-M-1600/0.5(0.2)	1600	0.2	0.5	DN40-PN6 RF GB/T9119	DN40-PN6 RF GB/T9119
GDJ3-M-2000/0.4	2000		0.4		



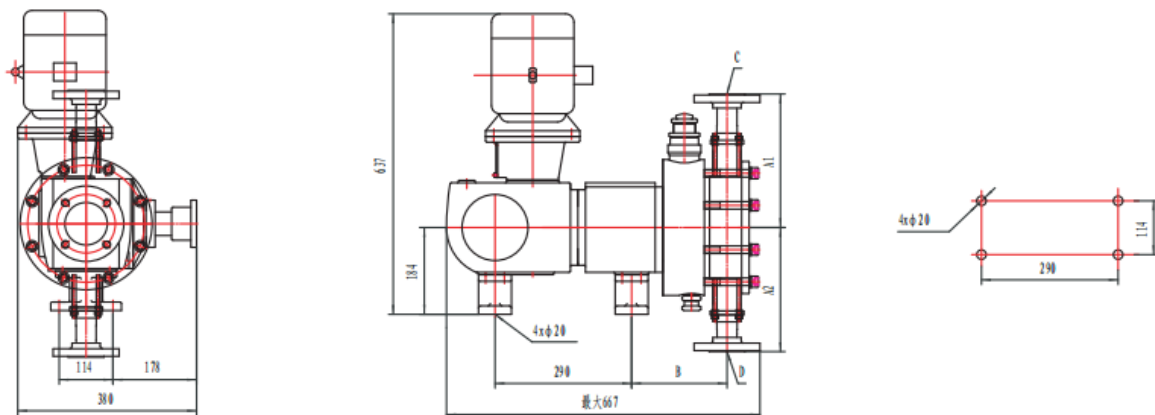
郑州高德机械设备有限公司 Gaode Equipment Co., Ltd.

地址 ADD: 郑州市金水区丰庆路 4 号院 14 号楼 9 号 邮编 P.C.:450053
No.9, Building 14, Yard No.4, Fengqing Road, Jinshui District, Zhengzhou, Henan China
网站 (Web) :www.gaodetec.com E-Mail: info@gaodetec.com

Install Dimensions

Type	A1	A2	B	C	D
GDJ3-M-22/20(12.5)	210	210	180	Φ18(outside diameter)x4hose	Φ18(outside diameter)x4hose
GDJ3-M-28/20(10)					
GDJ3-M-38/20(8)	210	210	180	Φ18(outside diameter)*3hose	Φ18(outside diameter)x3hose
GDJ3-M-48/16(12.5)					
GDJ3-M-63/12.5(5)					
GDJ3-M-80/10(4)					
GDJ3-M-100/8(3.2)	246	206	188	DN15-PN110 RF GB/T9116.1	DN15-PN5 RF GB/T9119
GDJ3-M-125/6.3(2.5)					
GDJ3-M-160/5(2)	222	212	188	DN15-PN50 RF GB/T9116.1	DN15-PN5 RF GB/T9119
GDJ3-M-200/4(1.6)					
GDJ3-M-250/3.2(1.3)	218	218	189	DN20-PN40 RF GB/T9119	DN20-PN6 RF GB/T9119
GDJ3-M-320/2.5(1)					
GDJ3-M-400/2(0.8)	241	201.5	192	DN20-PN40 RF GB/T9119	DN20-PN6 RF GB/T9119
GDJ3-M-500/1.6(0.63)					
GDJ3-M-630/1.3(0.5)	249	229	195	DN25-PN40 RF GB/T9119	DN25-PN6 RF GB/T9119
GDJ3-M-800/1(0.4)					
GDJ3-M-1000/0.8(0.32)	278	258	202	DN32-PN40 RF GB/T9119	DN32-PN6 RF GB/T9119
GDJ3-M-1250/0.63(0.25)					
GDJ3-M-1600/0.5(0.2)	291	271	207	DN40-PN6 RF GB/T9119	DN40-PN6 RF GB/T9119
GDJ3-M-2000/0.4					

Installation Diagram





郑州高德机械设备有限公司

Gaode Equipment Co., Ltd.

地址 ADD: 郑州市金水区丰庆路 4 号院 14 号楼 9 号 邮编 P.C.:450053
 No.9, Building 14, Yard No.4, Fengqing Road, Jinshui District, Zhengzhou, Henan China
 网站 (Web) :www.gaodetec.com E-Mail: info@gaodetec.com

GDJ4-M High pressure hydraulic diaphragm metering pump

Parameters

Type	Flow L/h	Max Pressure MPa		inlet pipe connections(D)	outlet pipe connections(C)
		Motor 1.5kW	Motor 2.2kW		
GDJ4-M-70/20(10)	70	10	20	Φ20(outside diameter)*4hose	Φ20(outside diameter)*4hose
GDJ4-M-90/16(8)	90	8	16		
GDJ4-M-120/12.5(6.3)	120	6.3	12.5	DN15-PN6 RF GB/T9119	DN15-PN150 RF GB/T9116.1
GDJ4-M-150/10(5)	150	5	10		
GDJ4-M-200/8(4)	200	4	8	DN15-PN6 RF GB/T9119	DN15-PN110 RF GB/T9116.1
GDJ4-M-250/6.3(3.2)	250	3.2	6.3		
GDJ4-M-320/5(2.5)	320	2.5	5	DN20-PN6 RF GB/T9119	DN20-PN50 RF GB/T9116.1
GDJ4-M-400/4(2)	400	2	4		
GDJ4-M-500/3.2(1.6)	500	1.6	3.2	DN25-PN6 RF GB/T9119	DN25-PN40 RF GB/T9119
GDJ4-M-630/2.5(1.25)	630	1.25	2.5		
GDJ4-M-800/2(1)	800	1	2	DN32-PN6 RF GB/T9119	DN32-PN40 RF GB/T9119
GDJ4-M-1000/1.6(0.8)	1000	0.8	1.6		
GDJ4-M-1250/1.25(0.63)	1250	0.63	1.25	DN40-PN6 RF GB/T9119	DN40-PN40 RF GB/T9119
GDJ4-M-1600/1(0.5)	1600	0.5	1		
GDJ4-M-2000/0.8(0.4)	2000	0.4	0.8	DN50-PN6 RF GB/T9119	DN50-PN6 RF GB/T9119
GDJ4-M-2500/0.63(0.32)	2500	0.32	0.63		
GDJ4-M-3200/0.5	3200		0.5	DN65-PN6 RF GB/T9119	DN65-PN6 RF GB/T9119
GDJ4-M-4000/0.4	4000		0.4		



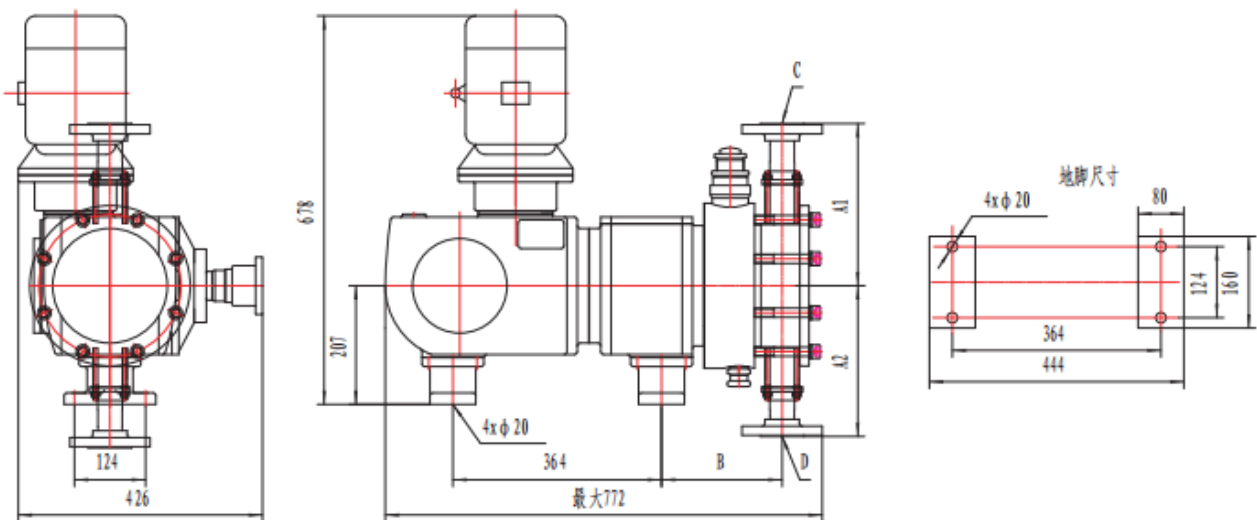
郑州高德机械设备有限公司 Gaode Equipment Co., Ltd.

地址 ADD: 郑州市金水区丰庆路 4 号院 14 号楼 9 号 邮编 P.C.:450053
No.9, Building 14, Yard No.4, Fengqing Road, Jinshui District, Zhengzhou, Henan China
网站 (Web) :www.gaodetec.com E-Mail: info@gaodetec.com

Install Dimensions

Type	A1	A2	B	C	D
GDJ4-M-70/20(10)	225	225	186	Φ20(outside diameter)*4hose	Φ20(outside diameter)*4hose
GDJ4-M-90/16(8)					
GDJ4-M-120/12.5(6.3)	256	206	196	DN15-PN150 RF GB/T9116.1	DN15-PN6 RF GB/T9119
GDJ4-M-150/10(5)					
GDJ4-M-200/8(4)	222	212	197	DN15-PN110 RF GB/T9116.1	DN15-PN6 RF GB/T9119
GDJ4-M-250/6.3(3.2)					
GDJ4-M-320/5(2.5)	248	246	203	DN20-PN50 RF GB/T9116.1	DN20-PN6 RF GB/T9119
GDJ4-M-400/4(2)					
GDJ4-M-500/3.2(1.6)	266	252	206	DN25-PN40 RF GB/T9119	DN25-PN6 RF GB/T9119
GDJ4-M-630/2.5(1.25)					
GDJ4-M-800/2(1)	272	252	208	DN32-PN40 RF GB/T9119	DN32-PN6 RF GB/T9119
GDJ4-M-1000/1.6(0.8)					
GDJ4-M-1250/1.25(0.63)	285	265	214	DN40-PN40 RF GB/T9119	DN40-PN6 RF GB/T9119
GDJ4-M-1600/1(0.5)					
GDJ4-M-2000/0.8(0.4)	294	294	223	DN50-PN6 RF GB/T9119	DN50-PN6 RF GB/T9119
GDJ4-M-2500/0.63(0.32)					
GDJ4-M-3200/0.5	321	321	238	DN65-PN6 RF GB/T9119	DN65-PN6 RF GB/T9119
GDJ4-M-4000/0.4					

Installation Diagram





郑州高德机械设备有限公司

Gaode Equipment Co., Ltd.

地址 ADD: 郑州市金水区丰庆路 4 号院 14 号楼 9 号 邮编 P.C.:450053
No.9, Building 14, Yard No.4, Fengqing Road, Jinshui District, Zhengzhou, Henan China
网站 (Web) :www.gaodetec.com E-Mail: info@gaodetec.com

GDJ5-M High pressure hydraulic dosing metering pump

Parameters

Type	Flow L/h	Max Pressure MPa		inlet pipe connections(D)	outlet pipe connections(C)
		Motor 5.5kW	Motor 7.5kW		
GDJ5-M-170/20(16)	170	16	20.0	DN15-PN6RF(Rp) GB/T9119	DN15-PN260 RF GB/T9116.1
GDJ5-M-220/20(12.5)	220	12.5	20.0		
GDJ5-M-300/20(10)	300	10	20.0	DN20-PN6 RF(Rp) GB/T9119	DN20-PN260 RF GB/T9116.1
GDJ5-M-380/20(8)	380	8	20.0		
GDJ5-M-500/16(6.3)	500	6.3	16.0	DN25-PN6 RF(Rp) GB/T9119	DN25-PN150 RF GB/T9116.1
GDJ5-M-630/12.5(5)	630	5	12.5		
GDJ5-M-800/10(4)	800	4.0	10.0	DN32-PN6 RF(Rp) GB/T9119	DN32-PN110 RF(NPT) GB/T9114
GDJ5-M-1000/8(3.2)	1000	3.2	8.0		
GDJ5-M-1250/6.3(2.5)	1250	2.5	6.3	DN40-PN6 RF(Rp) GB/T9119	DN40-PN50 RF(NPT) GB/T9116.1
GDJ5-M-1600/5(2)	1600	2.0	5.0		
GDJ5-M-2000/4(1.6)	2000	1.6	4.0	DN40-PN6 RF(Rp) GB/T9119	DN40-PN40 RF(Rp) GB/T9119
GDJ5-M-2500/3.2(1.25)	2500	1.25	3.2		
GDJ5-M-3200/2.5(1)	3200	1.0	2.5	DN50-PN6 RF(Rp) GB/T9119	DN50-PN40 RF(NPT) GB/T9119
GDJ5-M-4000/2(0.8)	4000	0.8	2.0		
GDJ5-M-5000/1.6(0.63)	5000	0.63	1.6	DN65-PN6 RF(Rp) GB/T9119	DN65-PN40 RF(NPT) GB/T9119
GDJ5-M-6300/1.25(0.5)	6300	0.5	1.25		



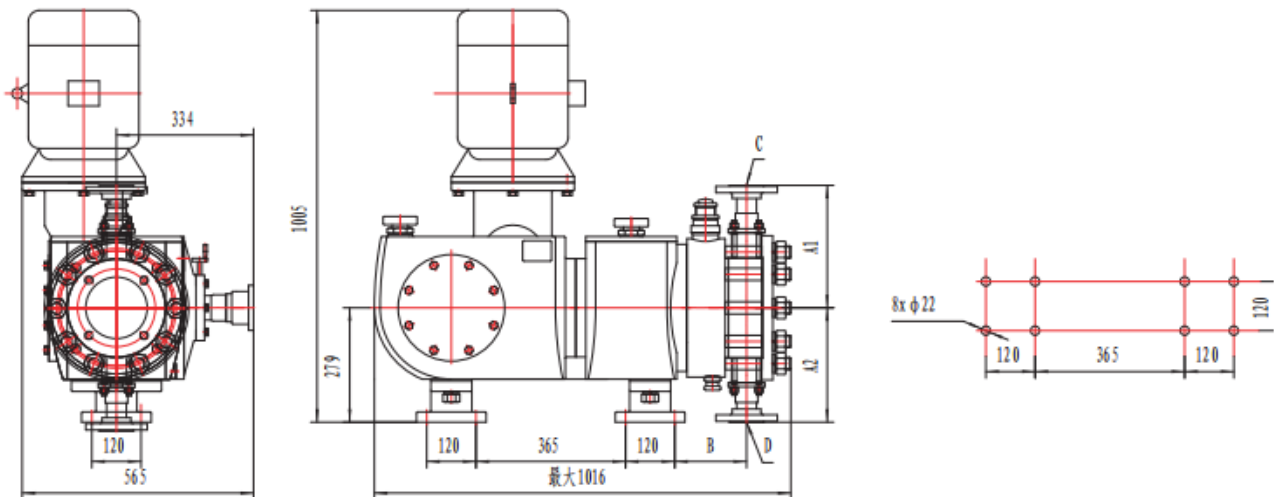
郑州高德机械设备有限公司 Gaode Equipment Co., Ltd.

地址 ADD: 郑州市金水区丰庆路 4 号院 14 号楼 9 号 邮编 P.C.:450053
No.9, Building 14, Yard No.4, Fengqing Road, Jinshui District, Zhengzhou, Henan China
网站 (Web) :www.gaodetec.com E-Mail: info@gaodetec.com

Install Dimensions

Type	A1	A2	B	C	D
GDJ5-M-170/20(16)	259	232	152	DN15-PN260 RF GB/T9116.1	DN15-PN6RF(Rp) GB/T9119
GDJ5-M-220/20(12.5)					
GDJ5-M-300/20(10)	259	232	152	DN20-PN260 RF GB/T9116.1	DN20-PN6 RF(Rp) GB/T9119
GDJ5-M-380/20(8)					
GDJ5-M-500/16(6.3)	323	203	174	DN25-PN150 RF GB/T9116.1	DN25-PN6 RF(Rp) GB/T9119
GDJ5-M-630/12.5(5)					
GDJ5-M-800/10(4)	325	315	176	DN32-PN110 RF(NPT) GB/T9114	DN32-PN6 RF(Rp) GB/T9119
GDJ5-M-1000/8(3.2)					
GDJ5-M-1250/6.3(2.5)	285	265	176	DN40-PN50 RF(NPT) GB/T9116.1	DN40-PN6 RF(Rp) GB/T9119
GDJ5-M-1600/5(2)					
GDJ5-M-2000/4(1.6)	299	279	177	DN40-PN40 RF(Rp) GB/T9119	DN40-PN6 RF(Rp) GB/T9119
GDJ5-M-2500/3.2(1.25)					
GDJ5-M-3200/2.5(1)	312	312	185	DN50-PN40 RF(NPT) GB/T9119	DN50-PN6 RF(Rp) GB/T9119
GDJ5-M-4000/2(0.8)					
GDJ5-M-5000/1.6(0.63)	349	349	193	DN65-PN40 RF(NPT) GB/T9119	DN65-PN6 RF(Rp) GB/T9119
GDJ5-M-6300/1.25(0.5)					

Installation Diagram





郑州高德机械设备有限公司

Gaode Equipment Co., Ltd.

地址 ADD: 郑州市金水区丰庆路 4 号院 14 号楼 9 号 邮编 P.C.:450053
 No.9, Building 14, Yard No.4, Fengqing Road, Jinshui District, Zhengzhou, Henan China
 网站 (Web) :www.gaodetec.com E-Mail: info@gaodetec.com

GDJ6-M Hydraulic chemical diaphragm dosing pump

Parameters

Type	Flow L/h	Max Pressure MPa		inlet pipe connections(D)	outlet pipe connections(C)
		Motor 11kW	Motor 18.5kW		
GDJ6-M-620/20(16)	620	16	25	DN32-PN6RF(Rp) GB/T9119	DN32-PN260RF GB/T9116.1
GDJ6-M-780/20(12.5)	780	12.5	20		
GDJ6-M-1000/16(10)	1000	10	16	DN32-PN6RF(RP) GB/T9119	DN32-PN150RF(NPT) GB/T9116.1
GDJ6-M-1250/12.5(8)	1250	8	12.5		
GDJ6-M-1600/10(6.3)	1600	6.3	10	DN40-PN6RF(Rp) GB/T9119	DN40-PN110RF(NPT) GB/T9116.1
GDJ6-M-2000/8(5)	2000	5	8		
GDJ6-M-2500/6.3(4)	2500	4	6.3	DN50-PN6RF(Rp) GB/T9119	DN50-PN50RF(NPT) GB/T9116.1
GDJ6-M-3200/5(3.2)	3200	3.2	5		
GDJ6-M-4000/4(2.5)	4000	2.5	4	DN65-PN6RF(Rp) GB/T9119	DN65-PN40RF(Rp) GB/T9119
GDJ6-M-5000/3.2(2)	5000	2	3.2		
GDJ6-M-6300/2.5(1.6)	6300	1.6	2.5	DN80-PN6RF(Rp) GB/T9119	DN80-PN40RF(Rp) GB/T9119
GDJ6-M-8000/2(1.25)	8000	1.25	2		
GDJ6-M-10000/1.6(1)	10000	1	1.6	DN100-PN6RF(Rp) GB/T9119	DN100-PN40RF(Rp) GB/T9119
GDJ6-M-12500/1.25(0.8)	12500	0.8	1.25		
GDJ6-M-16000/1.0(0.6)	16000	0.6	1.0	DN100-PN6RF(Rp) GB/T9119	DN100-PN40RF(Rp) GB/T9119

Install Dimensions

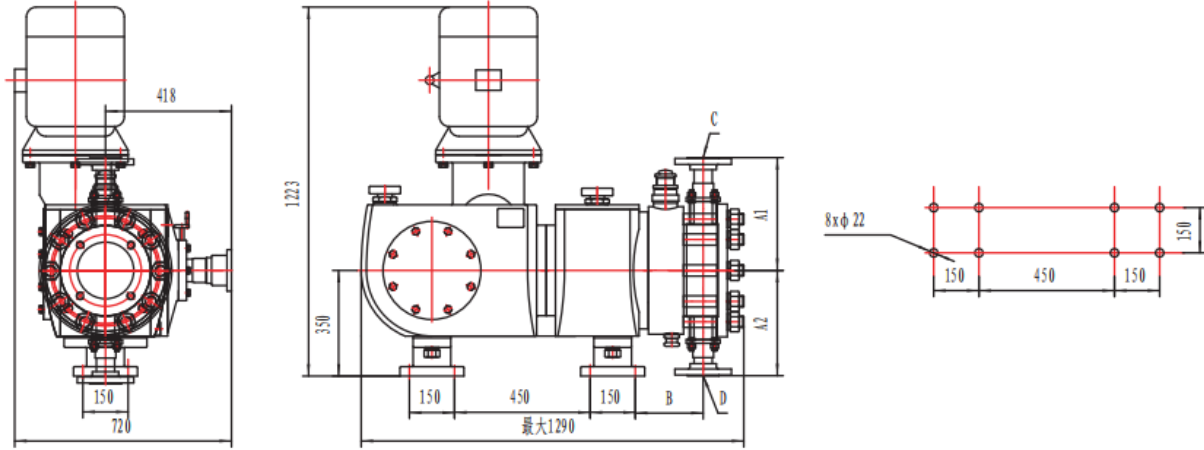
Type	A1	A2	B	C	D
GDJ6-M-620/20(16)	361	361	180	DN32-PN260RF GB/T9116.1	DN32-PN6RF(Rp) GB/T9119
GDJ6-M-780/20(12.5)					
GDJ6-M-1000/16(10)	361	361	180	DN32-PN150RF(NPT) GB/T9116.1	DN32-PN6RF(RP) GB/T9119
GDJ6-M-1250/12.5(8)					
GDJ6-M-1600/10(6.3)	311	311	180	DN40-PN110RF(NPT) GB/T9116.1	DN40-PN6RF(Rp) GB/T9119
GDJ6-M-2000/8(5)					
GDJ6-M-2500/6.3(4)	330	310	189	DN50-PN50RF(NPT) GB/T9116.1	DN50-PN6RF(Rp) GB/T9119
GDJ6-M-3200/5(3.2)					
GDJ6-M-4000/4(2.5)	389	329	210	DN65-PN40RF(Rp) GB/T9119	DN65-PN6RF(Rp) GB/T9119
GDJ6-M-5000/3.2(2)					
GDJ6-M-6300/2.5(1.6)	391	391	242	DN80-PN40RF(Rp) GB/T9119	DN80-PN6RF(Rp) GB/T9119
GDJ6-M-8000/2(1.25)					
GDJ6-M-10000/1.6(1)	431	436	252	DN100-PN40RF(Rp) GB/T9119	DN100-PN6RF(Rp) GB/T9119
GDJ6-M-12500/1.25(0.8)					
GDJ6-M-16000/1.0(0.6)	436	436	252	DN100-PN40RF(Rp) GB/T9119	DN100-PN6RF(Rp) GB/T9119



郑州高德机械设备有限公司 Gaode Equipment Co., Ltd.

地址 ADD: 郑州市金水区丰庆路 4 号院 14 号楼 9 号 邮编 P.C.:450053
No.9, Building 14, Yard No.4, Fengqing Road, Jinshui District, Zhengzhou, Henan China
网站 (Web) :www.gaodetec.com E-Mail: info@gaodetec.com

Installation Diagram



GDJ7-M Hydraulic Diaphragm Dosing Pump

Parameters

Type	Flow L/h	Max Pressure MPa		inlet pipe connections(D)	outlet pipe connections(C)
		Motor 18.5kW	Motor 30kW		
GDJ7-M-1600/20(16)	1600	16	20	DN50-PN40 RF(Rp) GB/T9114	DN50-PN260 RF GB/T9115.1
GDJ7-M-2000/20(12.5)	2000	12.5	20		
GDJ7-M-2500/16(10)	2500	10	16	DN65-PN40 RF(Rp) GB/T9114	DN65-PN150 RF GB/T9115.1
GDJ7-M-3200/12.5(8)	3200	8	12.5		
GDJ7-M-4000/10(6.3)	4000	6.3	10	DN80-PN40 RF(Rp) GB/T9114	DN80-PN110 RF(NPT) GB/T9114
GDJ7-M-5000/8(5)	5000	5	8		
GDJ7-M-6300/6.3(5)	6300	5	6.3	DN80-PN40 RF(Rp) GB/T9114	DN80-PN110 RF(NPT) GB/T9114
GDJ7-M-6300/6.3(4)	6300	4	6.3		
GDJ7-M-8000/5(3.2)	8000	3.2	5	DN80-PN40 RF(Rp) GB/T9114	DN80-PN50 RF(NPT) GB/T9114
GDJ7-M-10000/4(2.5)	10000	2.5	4		
GDJ7-M-12500/3.2(2)	12500	2	3.2	DN100-PN40 RF(Rp) GB/T9114	DN100-PN40 RF(Rp) GB/T9114
GDJ7-M-16000/2.5(1.6)	16000	1.6	2.5		
GDJ7-M-20000/2(1.25)	20000	1.25	2	DN125-PN25 RF(Rp) GB/T9114	DN125-PN25 RF(Rp) GB/T9114
GDJ7-M-25000/1.6(1)	25000	1	1.6		
GDJ7-M-32000/1.25(0.8)	32000	0.8	1.25	DN150-PN16 RF(Rp) GB/T9114	DN150-PN16 RF(Rp) GB/T9114
GDJ7-M-40000/1(0.63)	40000	0.63	1		



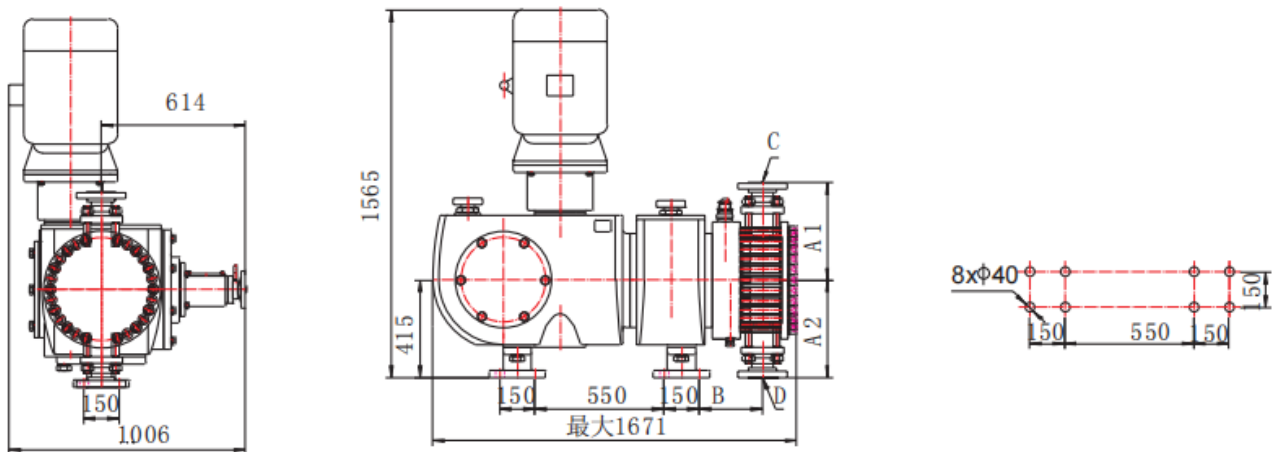
郑州高德机械设备有限公司 Gaode Equipment Co., Ltd.

地址 ADD: 郑州市金水区丰庆路 4 号院 14 号楼 9 号 邮编 P.C.:450053
No.9, Building 14, Yard No.4, Fengqing Road, Jinshui District, Zhengzhou, Henan China
网站 (Web) :www.gaodetec.com E-Mail: info@gaodetec.com

Install Dimensions

Type	A1	A2	B	C	D
GDJ7-M-1600/20(16)	382	334	255	DN50-PN260 RF GB/T9115.1	DN50-PN40 RF(Rp) GB/T9114
GDJ7-M-2000/20(12.5)					
GDJ7-M-2500/16(10)	436	389	259	DN65-PN150 RF GB/T9115.1	DN65-PN40 RF(Rp) GB/T9114
GDJ7-M-3200/12.5(8)					
GDJ7-M-4000/10(6.3)	416	378	266	DN80-PN110 RF(NPT) GB/T9114	DN80-PN40RF(Rp) GB/T9114
GDJ7-M-5000/8(5)					
GDJ7-M-6300/6.3(5)	399	358	266	DN80-PN110 RF(NPT) GB/T9114	DN80-PN40 RF(Rp) GB/T9114
GDJ7-M-6300/6.3(4)					
GDJ7-M-8000/5(3.2)	414	385	271	DN80-PN50 RF(NPT) GB/T9114	DN80-PN40 RF(Rp) GB/T9114
GDJ7-M-10000/4(2.5)					
GDJ7-M-12500/3.2(2)	472	472	297	DN100-PN40 RF(Rp) GB/T9114	DN100-PN40 RF(Rp) GB/T9114
GDJ7-M-16000/2.5(1.6)					
GDJ7-M-20000/2(1.25)	543	543	319	DN125-PN25 RF(Rp) GB/T9114	DN125-PN25 RF(Rp) GB/T9114
GDJ7-M-25000/1.6(1)					
GDJ7-M-32000/1.25(0.8)	615	615	342	DN150-PN16 RF(Rp) GB/T9114	DN150-PN16RF(Rp) GB/T9114
GDJ7-M-40000/1(0.63)					

Installation Diagram





郑州高德机械设备有限公司

Gaode Equipment Co., Ltd.

地址 ADD: 郑州市金水区丰庆路 4 号院 14 号楼 9 号 邮编 P.C.:450053
 No.9, Building 14, Yard No.4, Fengqing Road, Jinshui District, Zhengzhou, Henan China
 网站 (Web) :www.gaodetec.com E-Mail: info@gaodetec.com

2GDJ2-M Hydraulic Diaphragm Metering Pump

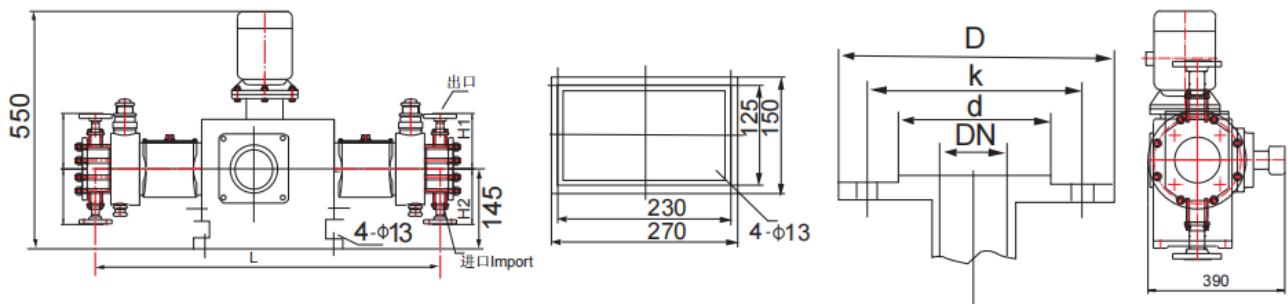
Parameters

Type	Flow L/h	Discharge pressure MPa	Plunger diameter mm	Coverage mm	Repetition rpm	Motor power KW
2GDJ2-M-7/25	7	25	9	22	80	0.55
2GDJ2-M-12/16	12	16	12	22	80	0.55
2GDJ2-M-20/10	20	10	16	22	80	0.55
2GDJ2-M-36/6.4	36	6.4	21	22	80	0.55
2GDJ2-M-60/40	60	40	27	22	80	0.55
2GDJ2-M-120/2.5	120	2.5	38	22	80	0.55
2GDJ2-M-132/1.6	132	1.6	40	22	80	0.55
2GDJ2-M-230/1.2	230	1.2	53	22	80	0.55
2GDJ2-M-380/1.0	380	1.0	68	22	80	0.75
2GDJ2-M-490/0.5	490	0.5	76	22	80	0.75

Install Dimensions

Type	DN	D	K	d	H1	H2	L
2GDJ2-M-7/25	8	75	50	33	142	182	820
2GDJ2-M-12/16	8	75	50	33	142	182	820
2GDJ2-M-20/10	8	75	50	33	142	182	820
2GDJ2-M-36/6.4	8	75	50	33	142	182	820
2GDJ2-M-60/40	8	75	50	33	142	182	820
2GDJ2-M-120/2.5	8	75	50	33	142	182	820
2GDJ2-M-132/1.6	12	95	65	65	147	147	820
2GDJ2-M-230/1.2	15	95	65	65	147	147	840
2GDJ2-M-380/1.0	15	95	65	65	147	147	820
2GDJ2-M-490/0.5	15	95	65	65	147	147	820

Installation Diagram





郑州高德机械设备有限公司

Gaode Equipment Co., Ltd.

地址 ADD: 郑州市金水区丰庆路 4 号院 14 号楼 9 号 邮编 P.C.:450053
No.9, Building 14, Yard No.4, Fengqing Road, Jinshui District, Zhengzhou, Henan China
网站 (Web) :www.gaodetec.com E-Mail: info@gaodetec.com

2GDJ3-M Hydraulic Diaphragm Metering Pump

Parameters

Type	Flow L/h	Discharge pressure MPa	Plunger diameter mm	Coverage mm	Repetition rpm	Motor power KW
2GDJ3-M-22/64	22	64	10	50	90	2.2
2GDJ3-M-33/64	33	64	12	50	90	2.2
2GDJ3-M-32/50	32	50	12	50	90	2.2
2GDJ3-M-48/50	48	50	15	50	90	2.2
2GDJ3-M-56/40	56	40	16	50	90	2.2
2GDJ3-M-84/40	84	40	20	50	90	2.2
2GDJ3-M-96/32	96	32	21	50	90	2.2
2GDJ3-M-144/25	144	25	26	50	90	2.2
2GDJ3-M-150/25	150	25	27	50	90	2.2
2GDJ3-M-224/20	224	20	33	50	90	3
2GDJ3-M-244/16	244	16	34	50	90	3
2GDJ3-M-366/12.5	366	12.5	42	50	90	3
2GDJ3-M-400/10	400	10	43	50	90	3
2GDJ3-M-600/10	600	10	53	50	90	3
2GDJ3-M-636/6.4	636	6.4	55	50	90	3
2GDJ3-M-954/6.4	954	6.4	67	50	90	4
2GDJ3-M-1040/5.0	1040	5.0	70	50	90	4
2GDJ3-M-1560/4.0	1560	4.0	86	50	90	4
2GDJ3-M-1720/3.2	1720	3.2	90	50	90	4
2GDJ3-M-2560/2.5	2560	2.5	110	50	90	4
2GDJ3-M-2160/2.0	2160	2.0	101	50	90	4
2GDJ3-M-3240/1.6	3240	1.6	124	50	90	4
2GDJ3-M-2770/1.6	2770	1.6	114	50	90	4
2GDJ3-M-4150/1.0	4150	1.0	140	50	90	4
2GDJ3-M-6200/0.5	6200	0.5	171	50	90	4



郑州高德机械设备有限公司

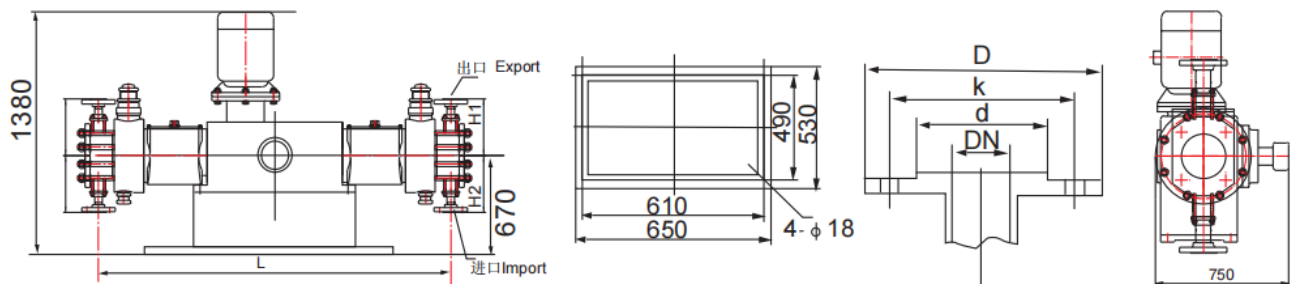
Gaode Equipment Co., Ltd.

地址 ADD: 郑州市金水区丰庆路 4 号院 14 号楼 9 号 邮编 P.C.:450053
 No.9, Building 14, Yard No.4, Fengqing Road, Jinshui District, Zhengzhou, Henan China
 网站 (Web) :www.gaodetec.com E-Mail: info@gaodetec.com

Install Dimensions

Type	DN	D	K	d	H1	H2	L
2GDJ3-M-22/64	8	90	60	41	155	195	1100
2GDJ3-M-33/64	8	90	60	41	155	195	1100
2GDJ3-M-32/50	8	90	60	41	155	195	1100
2GDJ3-M-48/50	8	90	60	41	155	195	1100
2GDJ3-M-56/40	8	90	60	41	155	195	1100
2GDJ3-M-84/40	8	90	60	41	155	195	1100
2GDJ3-M-96/32	8	90	60	41	155	195	1100
2GDJ3-M-144/25	10	90	60	41	162	202	1100
2GDJ3-M-150/25	10	90	60	41	162	202	1100
2GDJ3-M-224/20	10	90	60	41	162	202	1100
2GDJ3-M-244/16	10	90	60	41	162	202	1100
2GDJ3-M-366/12.5	12	95	66	46	198	198	1120
2GDJ3-M-400/10	12	95	66	46	198	198	1120
2GDJ3-M-600/10	12	95	66	46	198	198	1120
2GDJ3-M-636/6.4	12	95	66	46	198	198	1120
2GDJ3-M-954/6.4	16	105	85	56	214	254	1120
2GDJ3-M-1040/5.0	16	105	85	56	214	254	1120
2GDJ3-M-1560/4.0	16	105	85	56	214	254	1120
2GDJ3-M-1720/3.2	16	105	85	56	214	254	1120
2GDJ3-M-2560/2.5	16	105	85	56	214	254	1120
2GDJ3-M-2160/2.0	26	115	85	65	205	245	1260
2GDJ3-M-3240/1.6	26	115	85	65	205	245	1260
2GDJ3-M-2770/1.6	26	115	85	65	205	245	1260
2GDJ3-M-4150/1.0	35	135	98	75	240	280	1350
2GDJ3-M-6200/0.5	35	135	98	75	240	280	1350

Installation Diagram





郑州高德机械设备有限公司

Gaode Equipment Co., Ltd.

地址 ADD: 郑州市金水区丰庆路 4 号院 14 号楼 9 号 邮编 P.C.:450053
No.9, Building 14, Yard No.4, Fengqing Road, Jinshui District, Zhengzhou, Henan China
网站 (Web) :www.gaodetec.com E-Mail: info@gaodetec.com

2GDJ4-M Hydraulic diaphragm metering pump

Parameters

Type	Flow L/h	Discharge pressure MPa	Plunger diameter mm	Coverage mm	Repetition rpm	Motor power KW
2GDJ4-M-45/64	45	64	12	80	90	4
2GDJ4-M-67/64	67	64	14	80	90	4
2GDJ4-M-80/50	80	50	15	80	90	4
2GDJ4-M-120/50	120	50	19	80	90	4
2GDJ4-M-135/40	135	40	20	80	90	4
2GDJ4-M-200/40	200	40	24	80	90	4
2GDJ4-M-220/32	220	32	25	80	90	4
2GDJ4-M-330/32	330	32	31	80	90	4
2GDJ4-M-370/25	370	25	33	80	90	5.5
2GDJ4-M-555/25	555	25	40	80	90	5.5
2GDJ4-M-580/20	580	20	41	80	90	5.5
2GDJ4-M-870/20	870	20	51	80	90	5.5
2GDJ4-M-900/16	900	16	52	80	90	5.5
2GDJ4-M-1350/16	1350	16	63	80	90	5.5
2GDJ4-M-1600/10	1600	10	69	80	90	5.5
2GDJ4-M-2400/10	2400	10	84	80	90	5.5
2GDJ4-M-2160/8	2160	8	80	80	90	5.5
2GDJ4-M-3240/6.4	3240	6.4	98	80	90	5.5
2GDJ4-M-2940/4	2940	4	93	80	90	5.5
2GDJ4-M-4400/2.5	4400	2.5	114	80	90	5.5
2GDJ4-M-3700/1.6	3700	1.6	104	80	90	5.5
2GDJ4-M-5550/1	5550	1	128	80	90	5.5
2GDJ4-M-4500/1	4500	1	115	80	90	5.5
2GDJ4-M-6700/0.8	6700	0.8	141	80	90	5.5
2GDJ4-M-10000/0.5	10000	0.5	172	80	90	5.5
2GDJ4-M-15500/0.5	15500	0.5	214	80	90	5.5



郑州高德机械设备有限公司

Gaode Equipment Co., Ltd.

地址 ADD: 郑州市金水区丰庆路 4 号院 14 号楼 9 号 邮编 P.C.:450053
 No.9, Building 14, Yard No.4, Fengqing Road, Jinshui District, Zhengzhou, Henan China
 网站 (Web) :www.gaodetec.com E-Mail: info@gaodetec.com

Install Dimensions

Type	DN	D	K	d	H1	H2	L
2GDJ4-M-45/64	8	90	60	41	303	353	1340
2GDJ4-M-67/64	8	90	60	41	303	353	1340
2GDJ4-M-80/50	8	90	60	41	303	353	1340
2GDJ4-M-120/50	12	95	65	46	303	353	1440
2GDJ4-M-135/40	12	95	65	46	303	353	1440
2GDJ4-M-200/40	12	95	65	46	303	353	1440
2GDJ4-M-220/32	12	95	65	46	303	353	1440
2GDJ4-M-330/32	16	105	85	56	194	244	1450
2GDJ4-M-370/25	16	105	85	56	194	244	1450
2GDJ4-M-555/25	16	105	85	56	194	244	1450
2GDJ4-M-580/20	16	105	85	56	194	244	1450
2GDJ4-M-870/20	25	115	85	65	212	262	1450
2GDJ4-M-900/16	25	115	85	65	212	262	1450
2GDJ4-M-1350/16	25	115	85	65	212	262	1450
2GDJ4-M-1600/10	25	115	85	65	212	262	1450
2GDJ4-M-2400/10	25	115	85	65	212	262	1450
2GDJ4-M-2160/8	25	115	85	65	212	262	1450
2GDJ4-M-3240/6.4	35	135	98	75	242	292	1460
2GDJ4-M-2940/4	35	135	98	75	242	292	1460
2GDJ4-M-4400/2.5	35	135	98	75	242	292	1460
2GDJ4-M-3700/1.6	40	150	110	84	242	292	1480
2GDJ4-M-5550/1	40	150	110	84	242	292	1480
2GDJ4-M-4500/1	50	160	125	108	252	302	1530
2GDJ4-M-6700/0.8	50	160	125	108	252	302	1530
2GDJ4-M-10000/0.5	80	195	160	135	730	670	1530
2GDJ4-M-15500/0.5	80	195	160	135	730	670	1530

Installation Diagram

