

## **GZ-6AR/RD Air Driven Refractory Gunning Machine**

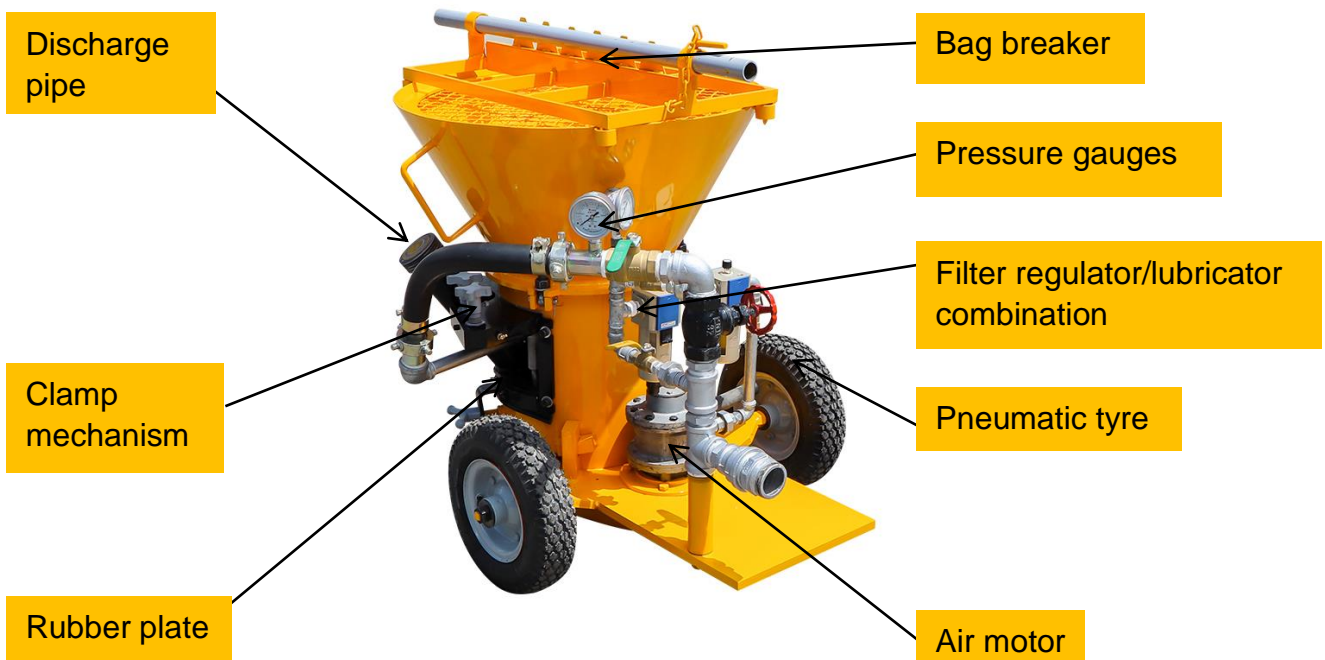
### 1. Description:

GZ-6AR/RD Air Driven Refractory Gunning Machine provides a steady flow of material, which allows uniform hydration and very smooth spraying.

The adjustable output of the material may be increased without sacrificing the quality of the application. The compact GZ-6AR/RD is capable of spraying through 38mm inner diameter conveying hoses. Widely used in refractory spraying and installing projects.

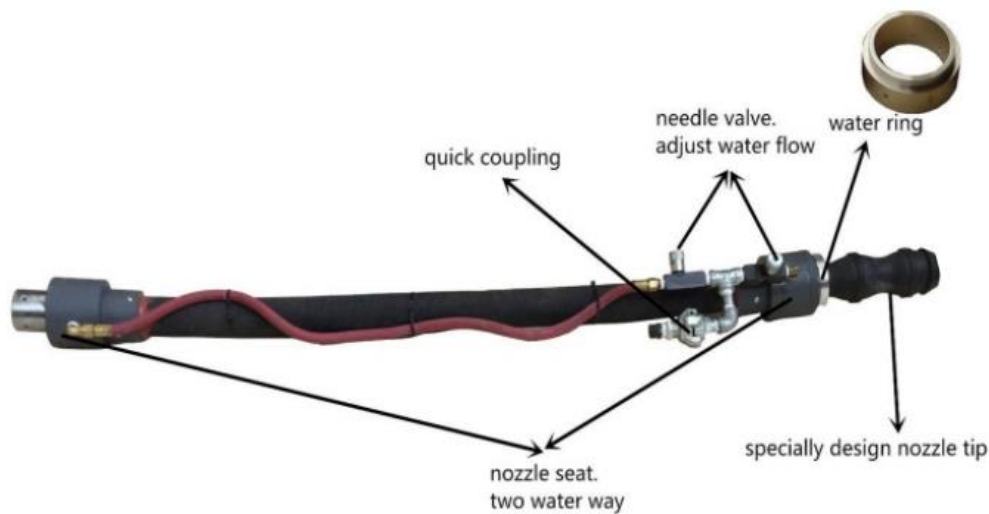
GZ-6AR/RD uses an air motor to rotate the machine's material feed bowl. An air compressor is required to convey material from the feed bowl to the nozzle (sold separately).

### 2. Features:



- ◆ Direct drive 5HP air motor;
- ◆ Continuous feed hopper;
- ◆ Bag breaker included;
- ◆ Double-blade materials agitator;
- ◆ Pressure gauges, pressure visible;
- ◆ Rubber plates can be quickly replaced;
- ◆ Easy to operate and maintain;
- ◆ Light weight and easy to move;

➤ **Pre-dampening Nozzle Assy**

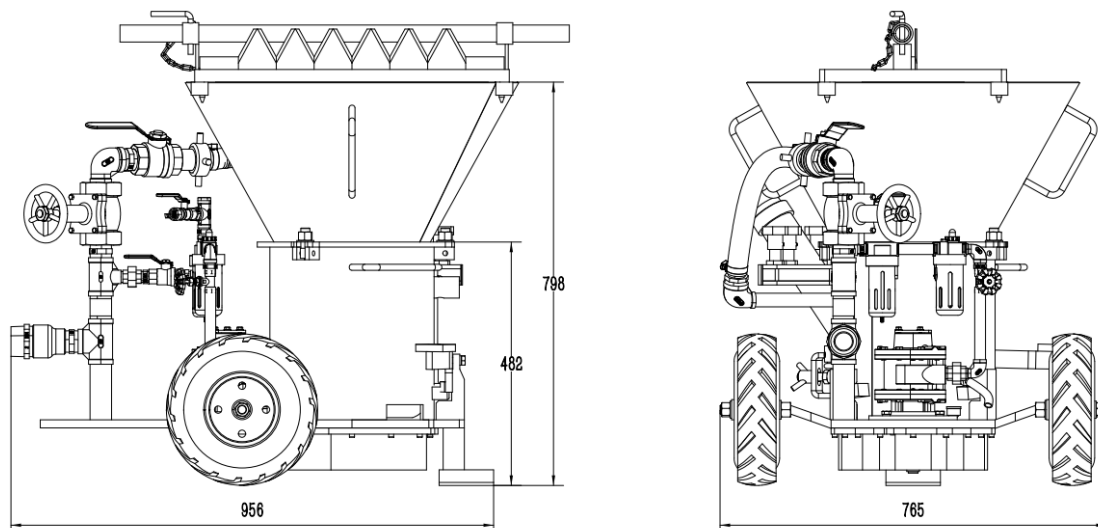


- ◆ Low rebound, low dust;
- ◆ Reduce additive water amount;
- ◆ Improve refractory compactness and strength;

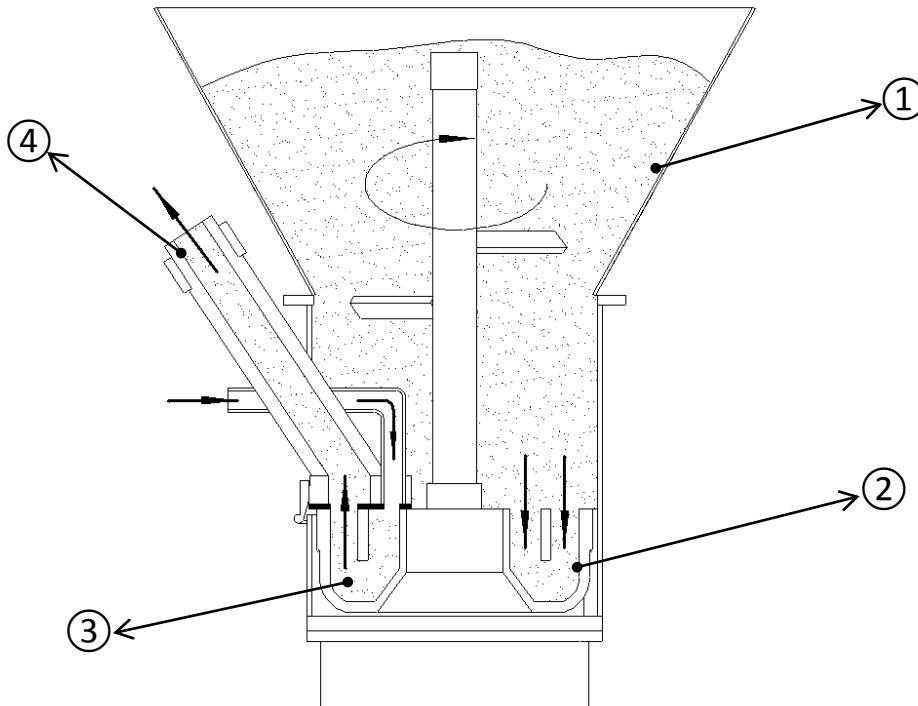
3. Technology Sheet:

Model	GZ-6AR/RD
Maximum output	6m <sup>3</sup> /hr
Max. aggregate size	10mm
Feed bowl pocket number	16
Hose ID	38mm
Air motor power	5HP
Air consumption	9-11m <sup>3</sup> /min
Dimension	1100×790×920mm
Weight	230Kg

Maximum theoretical performance is shown above. Actual performance will vary depending on a slump, mix design, and delivery line diameter. Specifications are subject to change without prior notice.



#### 4. Operating Principle:



- ① The dry material is fed through the hopper down into the pockets of the rotary feed wheel below.
- ② The rotary feed wheel, driven by a heavy-duty oil bath gear drive, rotates the mix under the conveying air inlet and material outlet.
- ③ With the introduction of compressed air, the mix is evacuated from the feed wheel pockets, then travels through the outlet and into the hoses.
- ④ The dry mix material is then conveyed in suspension through hoses to the nozzle, where water is added, and the water and dry material mix.

## 5. Application:

- ◆ Refractory Spraying;
- ◆ Structural Concrete Repair;
- ◆ Slope Stabilization;
- ◆ Tunnels and Mine Support;
- ◆ Pools and Spas;
- ◆ Retaining and Fire Walls;
- ◆ Dams and Reservoirs;
- ◆ Sand and Gravel Backfill.



## 6. Machine Pictures Gallery:





## **Gaode Equipment Co., Ltd.**

Add: No.9, Building 14, Yard No.4, Fengqing Road, Jinshui District,  
Zhengzhou, Henan China

Web: <https://www.gaodetec.com>

Email: [info@gaodetec.com](mailto:info@gaodetec.com)

Tel: +86-371-55951660